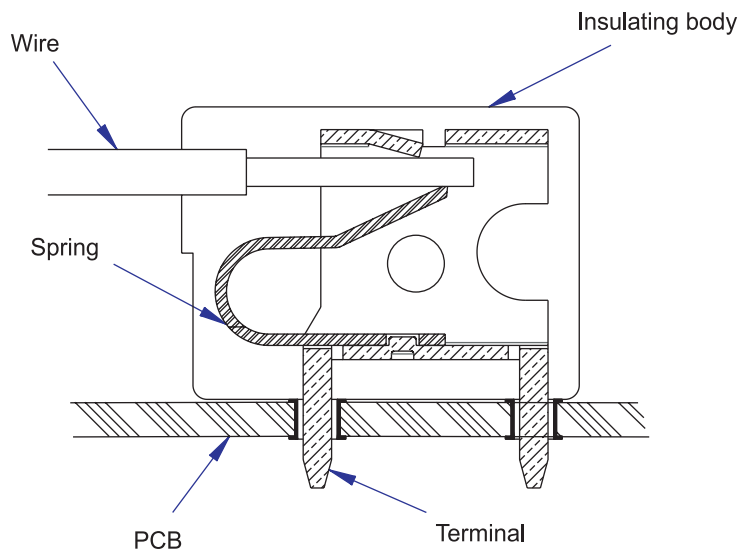
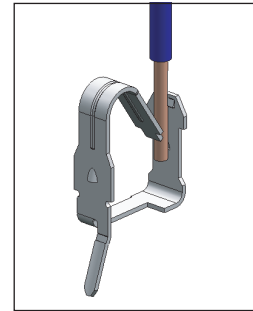


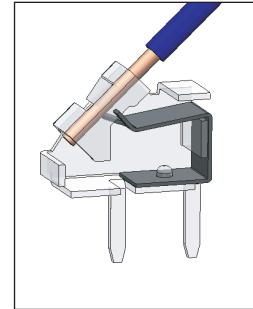
# MX SERIES



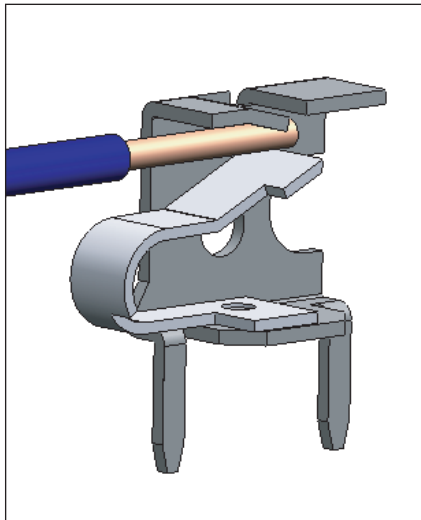
Vertical Wire entry



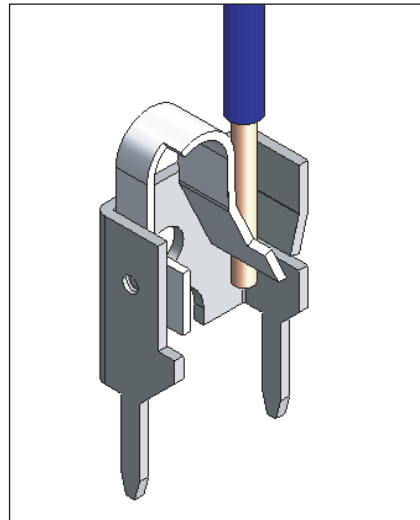
135° Wire entry



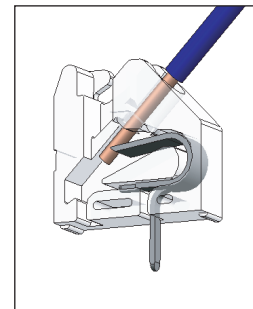
Horizontal Wire entry



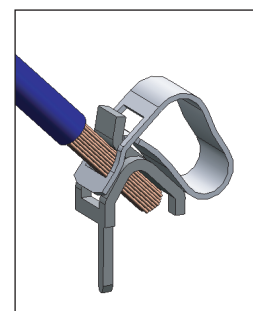
Vertical Wire entry



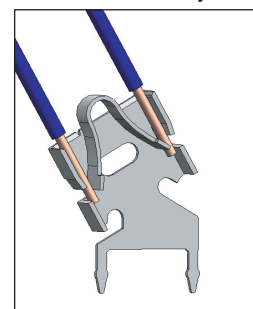
135° Wire entry



135° Wire entry



Double Wire entry



## ORDER GUIDE

MX   -

TYPE	PITCH		POLES	
MX...	2.50mm	250	2 poles	02
	2.54mm	254	3 poles	03
	3.50mm	350	:	:
	5.00mm	500	:	:
	5.08mm	508	:	:
	7.62mm	762	:	:
	10.16mm	016	:	:
			:	:
		24 poles	24	